

Bioprocessing

Gibco Sodium Chloride (NaCl)

Enhance bioprocessing efficiency with ready to use sodium chloride solutions

Gibco™ Sodium Chloride (NaCl) solutions are sterile filtered, packaged in bioprocess containers, and ready to use. Sourcing NaCl solutions can help streamline your buffer preparation allowing you to focus on additional critical steps in your biopharmaceutical processes.

Applications

NaCl plays a key role in bioprocessing applications, from creating the ideal conditions for cell growth to downstream purification steps.

Quality

We mix compendial-grade NaCl with the same bulk water used in our Gibco Water for Injection (WFI) for cell culture to produce solutions that meet the most stringent expectations of the pharmaceutical, biopharma, and diagnostic industries. NaCl solutions are manufactured to cGMP (21 CFR Part 820) and ISO 13485 standards, promoting consistency and convenience for every stage of the bioprocessing pipeline.

Specifications

- **Multi-compendial testing:** Compendial-grade raw materials
- **Shelf life:** 12-months from date of manufacture
- **Primary packaging:** Aegis™ 5-14 single-use bioprocess container
- **Secondary packaging:** Rigid shipping container with appropriate dunnage
- **Manufacturing facilities:** IS 13485-certified, cGMP-compliant to 21 CFR Part 820 standard

Product features

- Multiple concentrations available (0.1M, 0.2M, 0.5M, 1.0M, 2.0M)
- Available in a range of pack sizes (5L, 20L, 200L)
- Established products with set specifications are ready to order
- Manufactured to ISO and cGMP standards to meet the stringent expectations of highly regulated industries
- Readily accessible documentation for accelerated qualification

User benefits

- Eases the time requirements dedicated for in-house buffer preparation
- Mitigates space required for equipment storage
- Streamlines in-house chromatography processes related to formulation, hydration, testing, and validation
- Meets workflow needs for all stages of biologic development and manufacturing

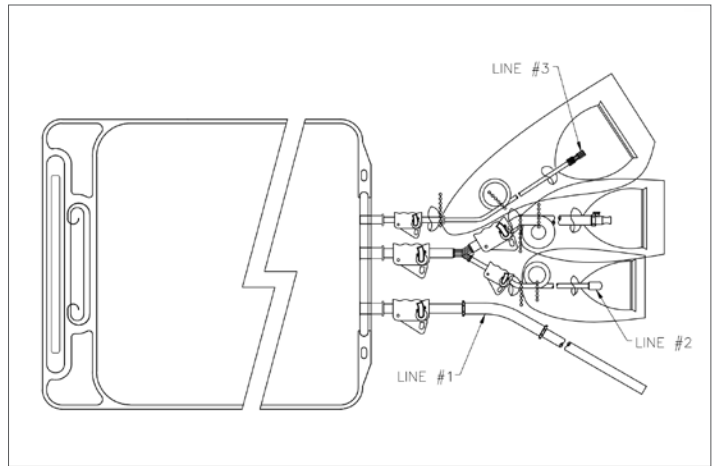
Release testing included in the Certificate of Analysis

Concentration	Conductivity (mS/cm)	Osmolality (mOsm/kg)	Molarity (M)	Appearance	Sterility	Endotoxin	pH range
0.1M	8.8-10.4	167-207	0.08-0.12	Clear, colorless solution	Negative	<=1.0 EU/mL	4.50-8.00
0.2M	16.7-20.2	354-394	0.16-0.24				
0.5M	39.1-45.9	880-980	0.40-0.60				
1.0M	74.5-81.1	1810-1937	0.80-1.20				
2.0M	127.2-141.9	1390-2059*	1.60-2.40				

* Based on 1:1 dilution

5L bioprocess container design

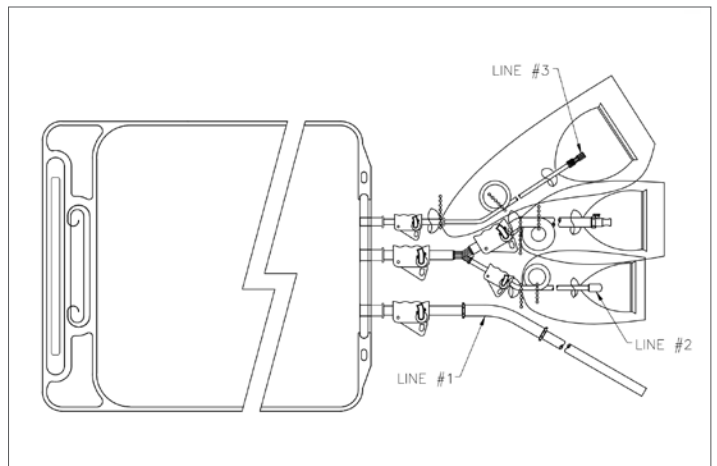
Line	Tubing	Connectors
1	C-Flex™ 374 and EVA tubing	Thermo Fisher Scientific fill line, sealed and cut at EVA
2	C-Flex™ 374 tubing 3/8" ID x 5/8" OD x 1/8" Wall Length: 42" 1/4" ID x 3/8" OD x 1/16" Wall	<ul style="list-style-type: none"> Polycarbonate quick connect, 3/8" insert (MPC) Polypropylene, Luer lock, male 1/4"
3	C-Flex™ 374 tubing 1/8" ID x 1/4" OD x 1/16" Wall Length: 46"	Smartsite™ needle-free valve port with polycarb Luer thread cover



5L bioprocess container design

20L bioprocess container design

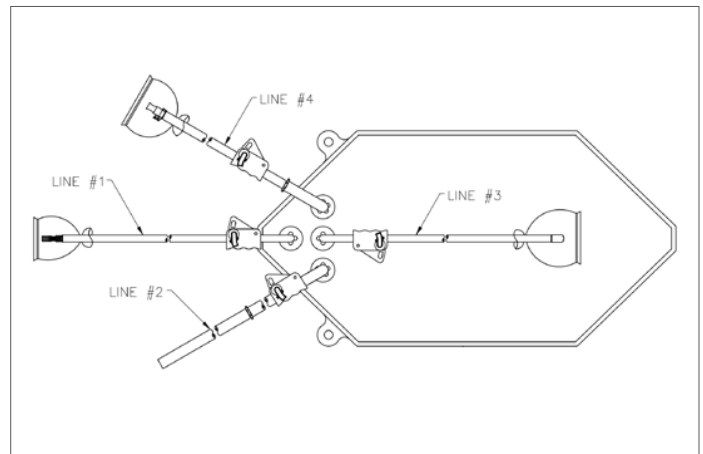
Line	Tubing	Connectors
1	C-Flex™ 374 and EVA tubing	Thermo Fisher Scientific fill line, sealed and cut at EVA
2	C-Flex™ 374 tubing 3/8" ID x 5/8" OD x 1/8" Wall Length: 42" 1/4" ID x 3/8" OD x 1/16" Wall	<ul style="list-style-type: none"> Polycarbonate quick connect, 3/8" insert (MPC) Polypropylene, Luer lock, male 1/4"
3	C-Flex™ 374 tubing 1/8" ID x 1/4" OD x 1/16" Wall Length: 46"	Smartsite™ needle-free valve port with polycarb Luer thread cover



20L bioprocess container design

200 L bioprocess container design

Line	Tubing	Connectors
1	C-Flex™ 374 tubing 1/4" ID X 1/2" OD X 1/8" Wall Length: 48"	<ul style="list-style-type: none"> Smartsite™ needle-free valve port with polycarb Luer thread cover Polypropylene, Luer lock, female 1/4"
2	C-Flex™ 374 and PVC tubing	Thermo Fisher Scientific fill line, sealed and cut at PVC
3	C-Flex™ 374 tubing 1/4" ID X 1/2" OD X 1/8" Wall Length: 48"	Polypropylene, Luer lock, male 1/4"
4	C-Flex™ 374 tubing 3/8" ID X 5/8" OD X 1/8" Wall Length: 39"	Polycarbonate quick connect, 3/8" insert (MPC)



200 L bioprocess container design

Ordering information

Description	Unit size	Cat. No.
0.1M NaCl	5L	18014060
	20L	18014100
	200L	18024070
0.2M NaCl	5L	18024100
	20L	18024080
	200L	18054080
0.5M NaCl	5 L	18064100
	20L	18074070
	200L	18064080
1.0M NaCl	5L	18094080
	20L	18074080
	200L	18024060
2.0M NaCl	5L	18004070
	20L	18014090
	200L	18084070

Related products

Product	Description	Cat. No
Gibco Sodium Hydroxide (NaOH)	1.0M, 20L	17800935
	1.0M, 200L	17810935
	0.5M, 20L	17890925
	0.5M, 200L	18024100
	0.1M, 20L	17850925
	0.1M, 200L	17870925
Gibco Water for Injection (WFI)	20L	16566034
	200L	17880925
Gibco 20% Ethanol (EtOH)	5L	18034060
	20L	18034100
	200L	18004090

Optional customization

If you require additional concentrations, a specific raw material grade and/or unique bioprocess containers, ask your Thermo Fisher Scientific representative about customization.

Distributed by Fisher Scientific. Contact us today:

Austria: fishersci.at Belgium: fishersci.be Denmark: fishersci.dk
 Germany: fishersci.de Ireland: fishersci.ie Italy: fishersci.it
 Finland: fishersci.fi France: fishersci.fr Netherlands: fishersci.nl
 Norway: fishersci.no Portugal: fishersci.pt Spain: fishersci.es
 Sweden: fishersci.se Switzerland: fishersci.ch UK: fishersci.co.uk

© 2024 Thermo Fisher Scientific Inc. All rights reserved.
 Trademarks used are owned as indicated at fishersci.com/trademarks.